

Bushing Data:

Rated Voltage	550	kV
Phase to-earth Voltage	318	kV
Dry Lightning Impulse I, 2/50µs	1675	kV
Wet Switching Impulse	1300	kV
Wet Power frequency AC	790	kV
Routine test Imin dry 50Hz	750	kV
Rated Current	2500	A
Creepage Distance	13380	mm
Mass	1715	kg

Ordering Data:

BUSHING
 LF121073 -F / -AF COLOUR AIR INSULATOR
 BROWN / LIGHT GREY

OUTER TERMINAL

LF170 073-A Al	H2 (mm)	D2 (mm)
LF170 073-B Cu	125	60
LF170 073-G Cu/Ag	125	60
OTHER TYPES ON REQUEST	125	60

END-SHIELD
 LF170 046-V EPOXY INSULATED
 LF170 046-VP INSULATED WITH 3 mm PRESSBOARD

DRAW ROD SYSTEM
 LF170 059 LOWER DRAW ROD WITH NI=4 OR NI=6
 LF170 057 UPPER DRAW ROD

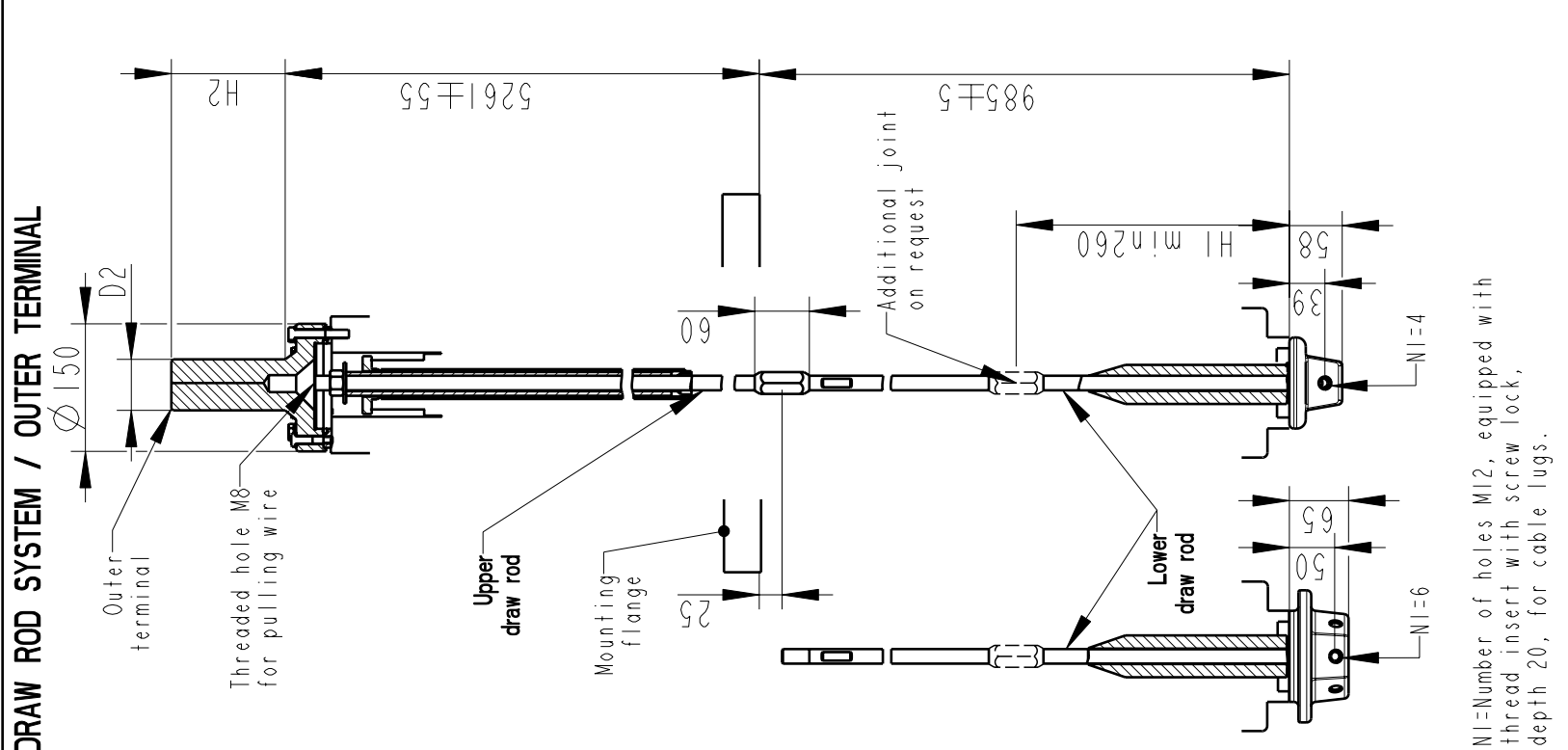
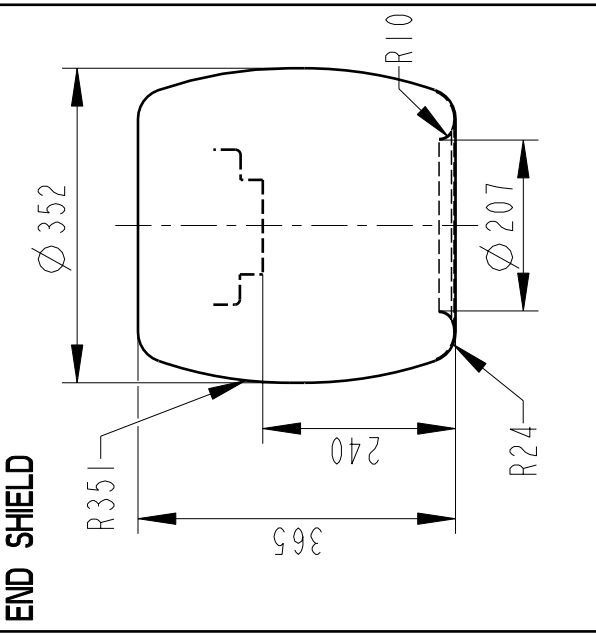
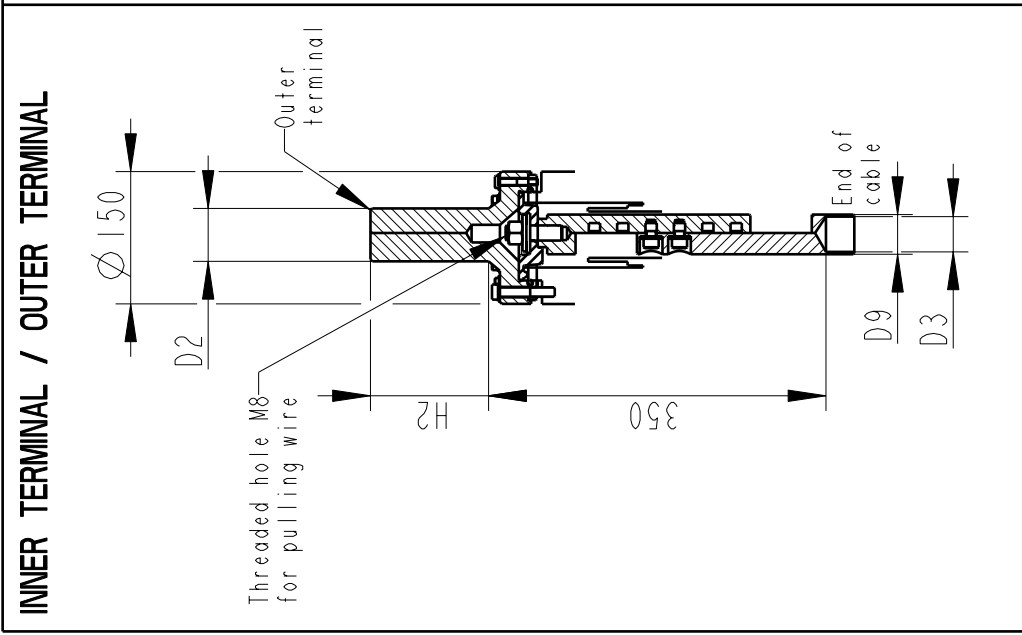
INNER TERMINAL

LF170 056-E O*)	D3 (mm)	D9 (mm)	Cond.area (mm ²)	Current (A) IEC	IEEE
LF170 056-D	40	45	600	1600	1360

*) WITH PILOT HOLE D=5

ABB Components Lutha, Sweden

No.	kV I	A	50-60 Hz
U	kV SI	kV AC	kV
M	kg L	mm D	
C1	pF	Tanδ	
C2	pF	Tanδ	



Based on	Reg. No.	Title
Prepared	Responsible department	GOE-1675-1300-2500-0
Lövnord	COM/BK 0022	
Approved	Take over department	
Johansson	Database	
Design engineering review		
Gutman		
ABB ABB Components		Document No. 2751369-37

